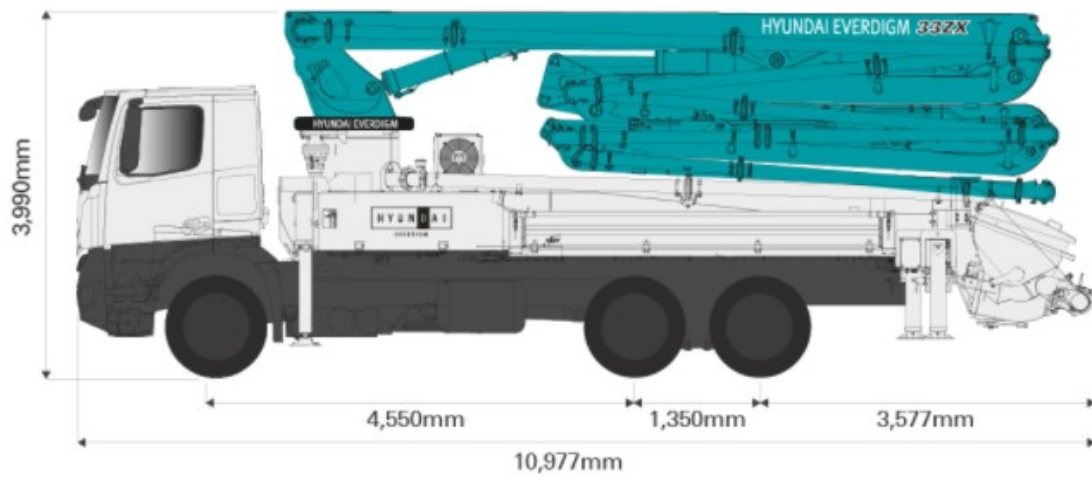


ECP33ZX-5

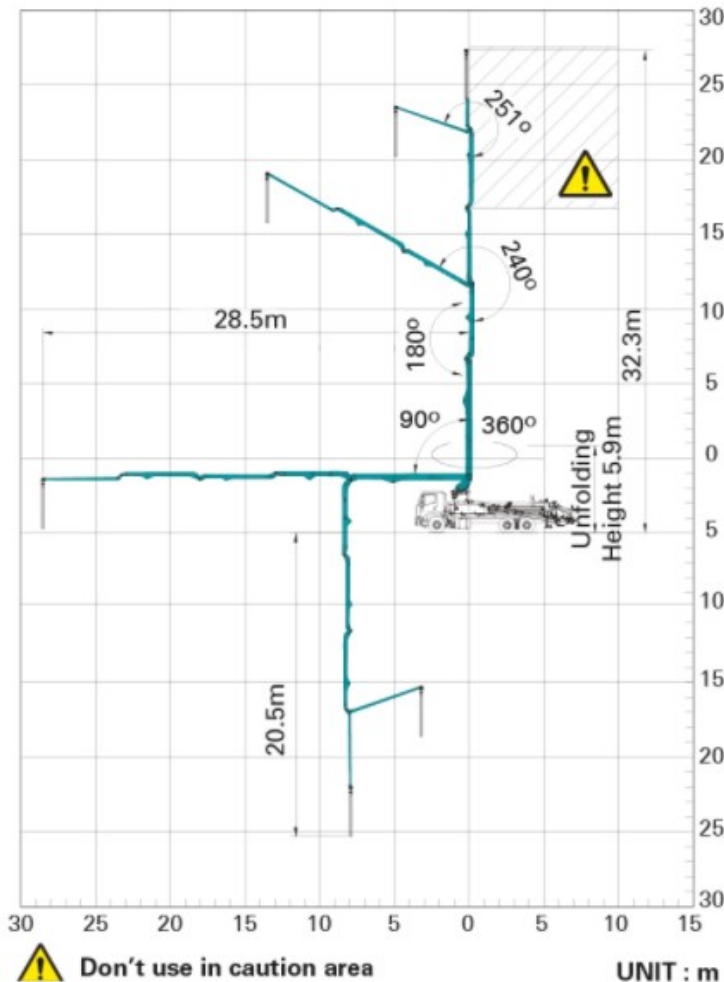
Specification



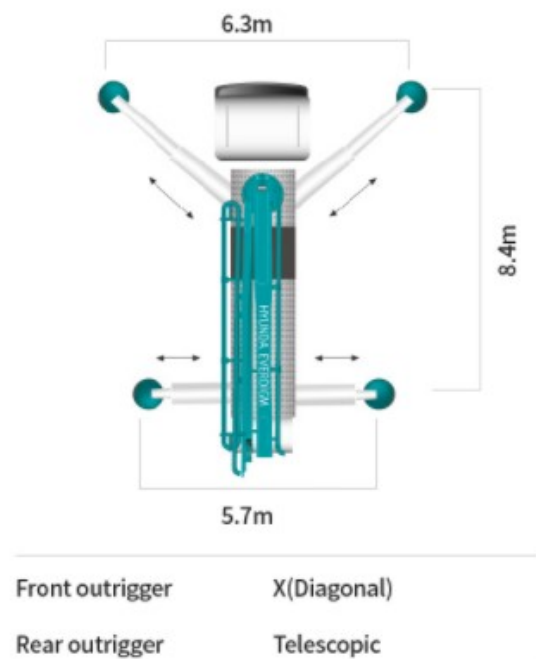
Folding type	5-section / Z-folding
Max. vertical reach	32.3m
Max. horizontal reach	28.5m
Max. depth reach	20.5m
Unfolding height	5.9m

Pump cell	2116
Control system	Closed Free Flow Hydraulic
Main pump	A4VG125x2
Concrete cylinder	230 x 1,200mm
Concrete output(m ³ /h)	160
Concrete pressure(bar)	85
Strokes No.(per min.)	30

WORKING RANGE



OUTRIGGER SPREAD



Front outrigger X(Diagonal)

Rear outrigger Telescopic

